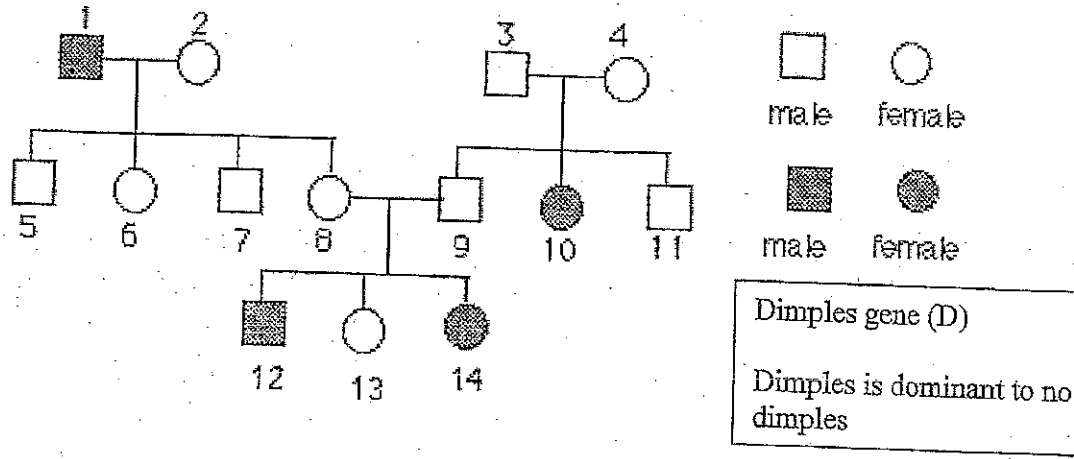


Genetics Pedigree Worksheet

1. Use the below pedigree chart to answer the following questions about dimples. The Dimple gene controls whether a person has dimples or doesn't have dimples. Dimples is dominant to no dimples. Place the genotypes of each individual below its symbol.



- A) How many family members have Dimples?
- B) What is the genotype of individual #3 and 4?
- C) Can either individual #8 or 9 be homozygous?
- C) Explain the family relationship that #12 has with # 2.

2. Use the below pedigree chart to answer the following three questions about unibrows. A person can either have two eyebrows or one fused eyebrow called a unibrow. The Eyebrow gene codes for which type of eyebrows a person will have. NOTE: this is a **Recessive Trait**- Which mean for a person to be affected they must have two recessive alleles. Place the genotypes of each individual below its symbol.

